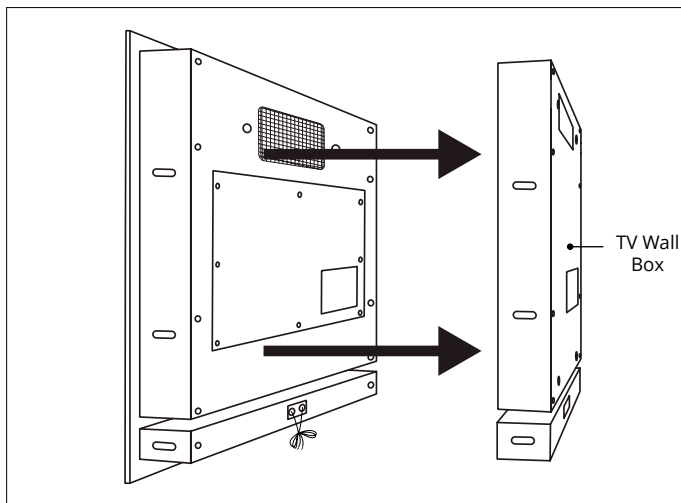


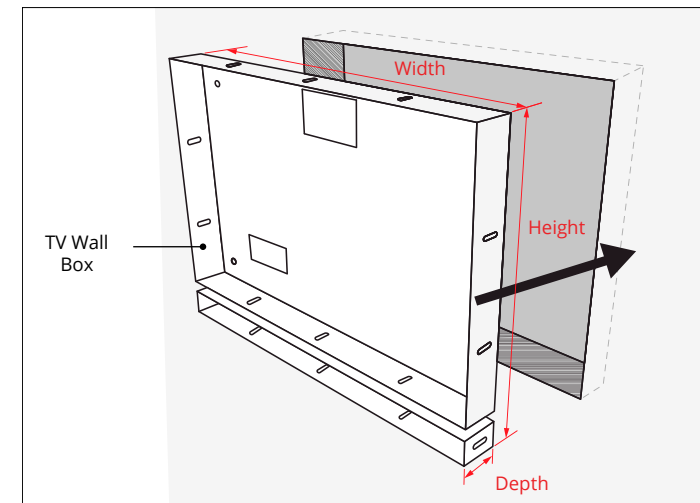
## 1 Check the Items

Upon receiving your order, open the crate and inspect the contents. **Damages must be reported within 24 hours.**



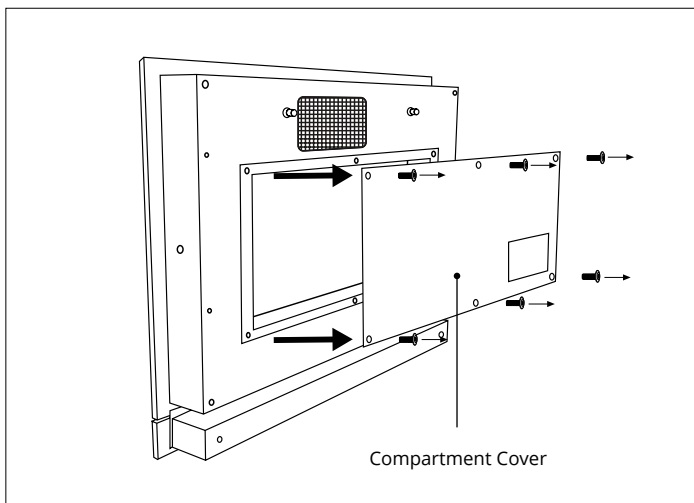
## 2 Remove the TV Wall Box

Remove the TV wall box attached at the back.



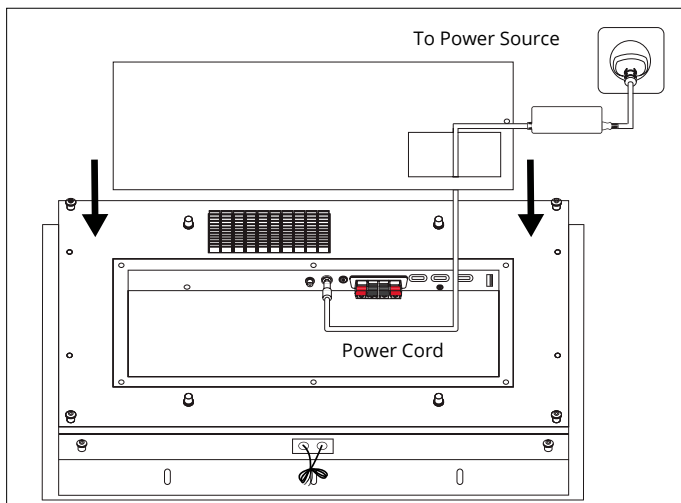
## 3 Prepare the Wall

Measure the width, height, and depth of your TV Wall Box. Use the measurements to dig a hole in the wall. Then place the TV wall box inside it.



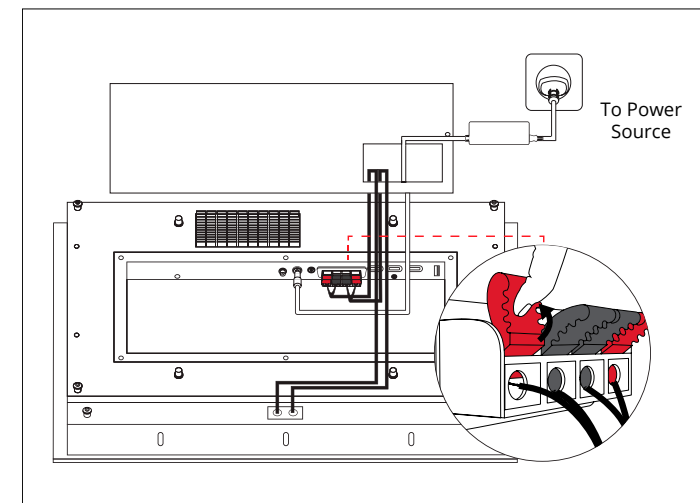
## 4 Remove the Compartment Cover

Use a screwdriver to remove the compartment cover located at the back of the TV.



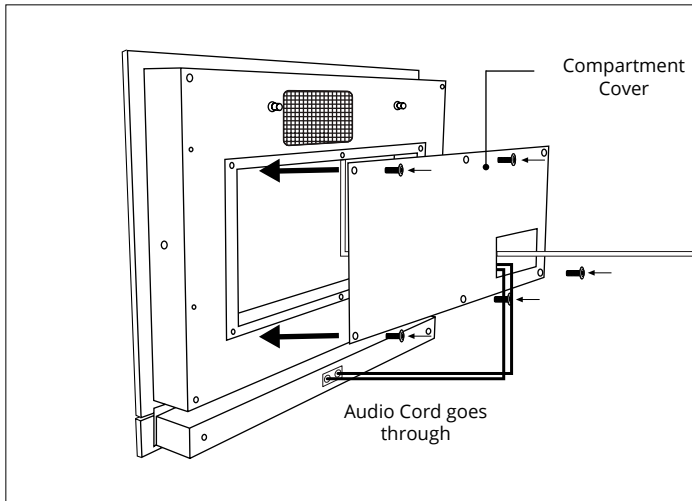
## 5 Plug the Power Cord

Insert the power cord through the opening of the compartment cover. Then plug it to the power input port located at the back of the TV.

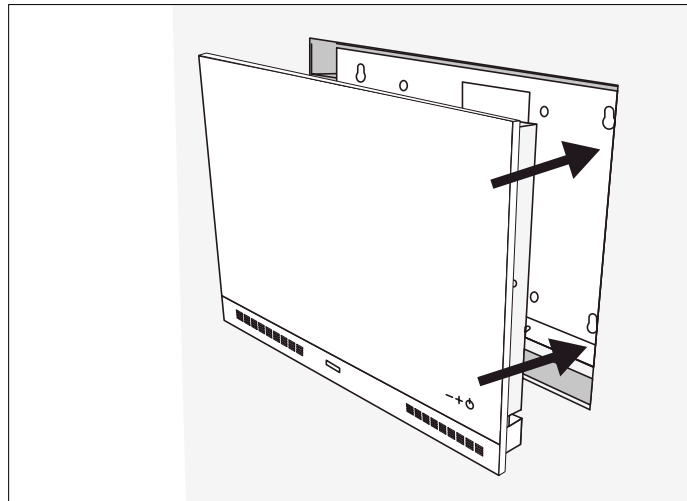


## 6 Connect the Audio Cords

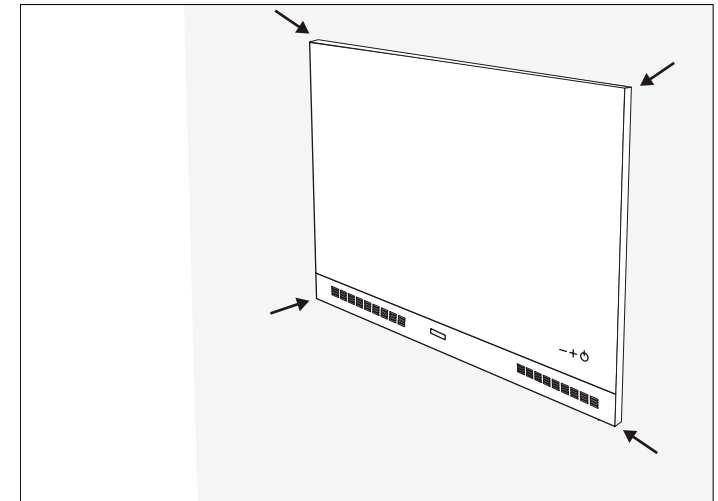
Insert one end of the stripped audio cord into the red clip and insert the other end of the cord into the black clip. Then do the same for the other stripped audio cord.



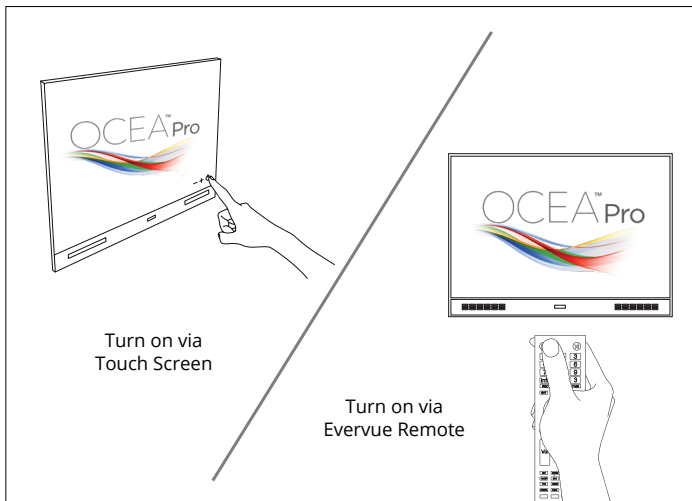
**7 Cover the Compartment**  
Re-attach the compartment cover. Tighten the surrounding screws to make sure that they don't fall during the rest of the installation process.



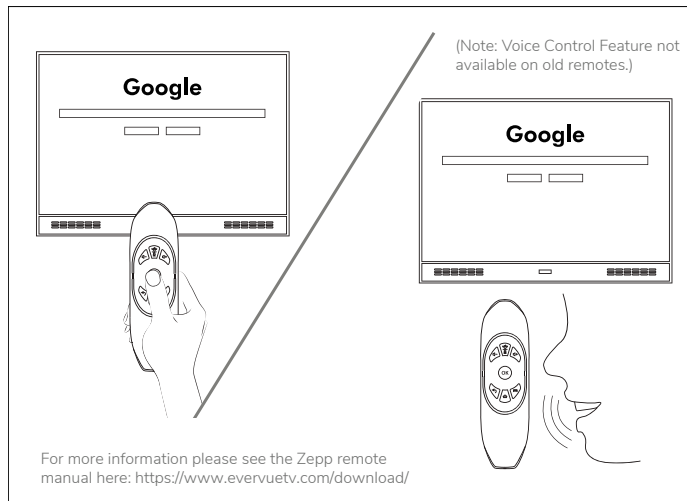
**8 Insert the Ocea Pro to the wall**  
First, insert the sound bar in the wall box followed by the TV unit. The special magnet inside them will keep the TV unit and sound bar in place.



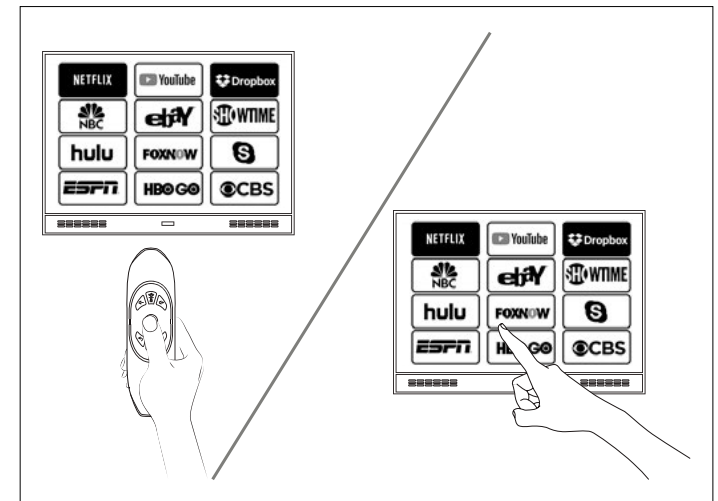
**9 Glue the Ocea Pro to the Wall**  
Before fully inserting the Ocea Pro onto the wall, the glass needs to be sealed with silicon glue to the tiles or wall.



**10 Turn on Ocea Pro TV**  
You can either turn your Ocea Pro TV on by simply touching the power icon on the screen or by clicking the power button on your Evervue remote.



**11 Control your TV**  
On the Zepp remote included in the package, press the mic/mouse button for 5 seconds to turn the remote on. You can either use the remote as a mouse to control the cursor on the screen (old remotes) or use the voice command with the built-in microphone in the remote (new remotes).



**12 Personalize your Ocea Pro**  
Your Ocea Pro is ready. Use the Touch screen or the Zepp remote to navigate the TV, install and manage apps, and personalize your Ocea Pro.